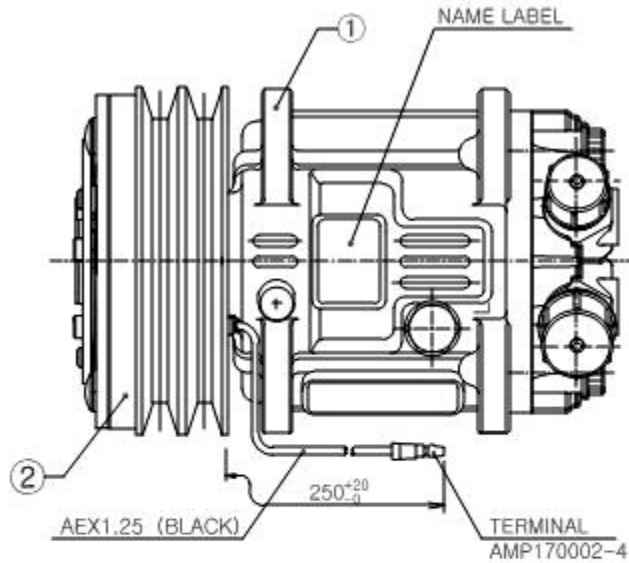


NO.	N A M E	PART NO.	QTY	MATERIAL DIMENSION .DESCRIPTION
1	COMPRESSOR ASSY	20102-07755	1	UP-90
2	MAGNETIC CLUTCH	27201-00020	1	∅125×AA×12V

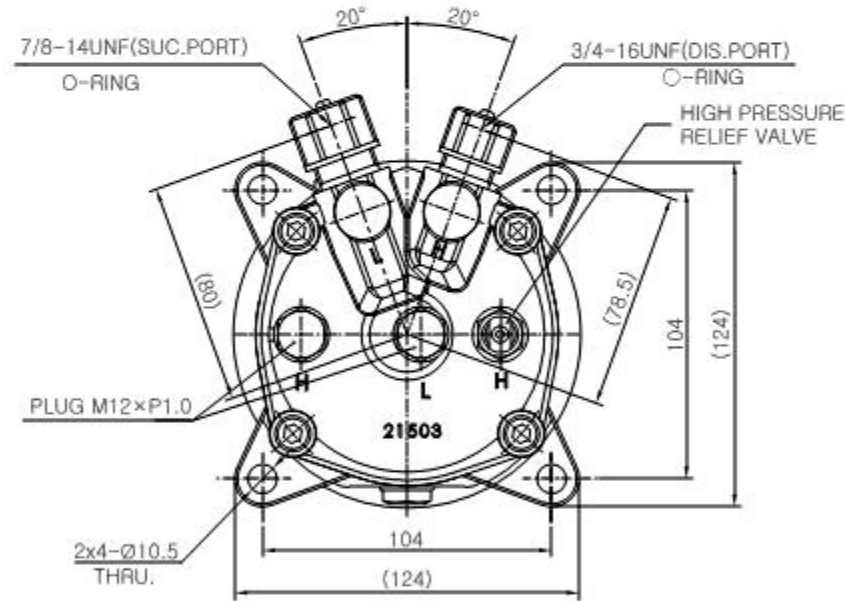
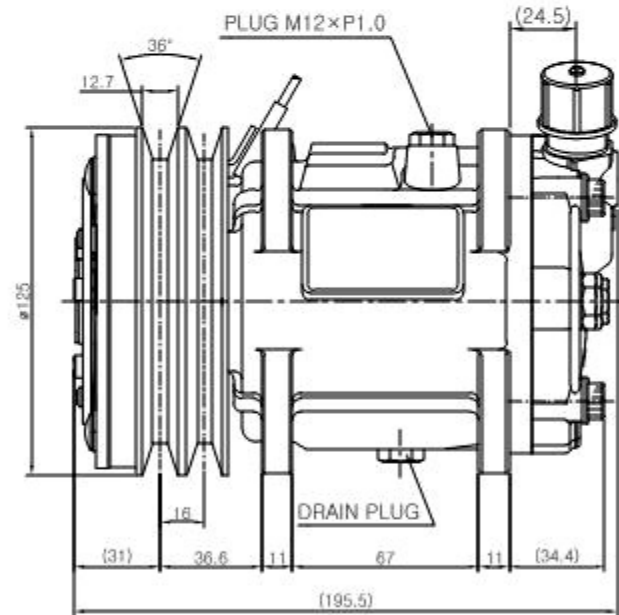


COMPRESSOR

MODEL	UP-90
PART NO.	20102-07755
DISPLACEMENT	92cc/Rev.
REFRIGERANT	HFC-134a
MAX. RPM	6000 rpm
FITTING TYPE	O-Ring type
LUBRICANT	UNIDAP 7(PAG)
INITIAL OIL CHARGE	140cc

MAGNETIC CLUTCH

MODEL	∅125×AA
PART NO.	27201-00020
RATING	DC.12V.MAX.45W
REVOLUTION	CW
BELT TYPE	A



DC.12V

PAG OIL

HFC-134a

Article

1.N₂ gas(0.05-0.1MPa) is enclosed in the compressor inside.
Therefore, please exclude a cap slowly so that internal oil is not scattered.