

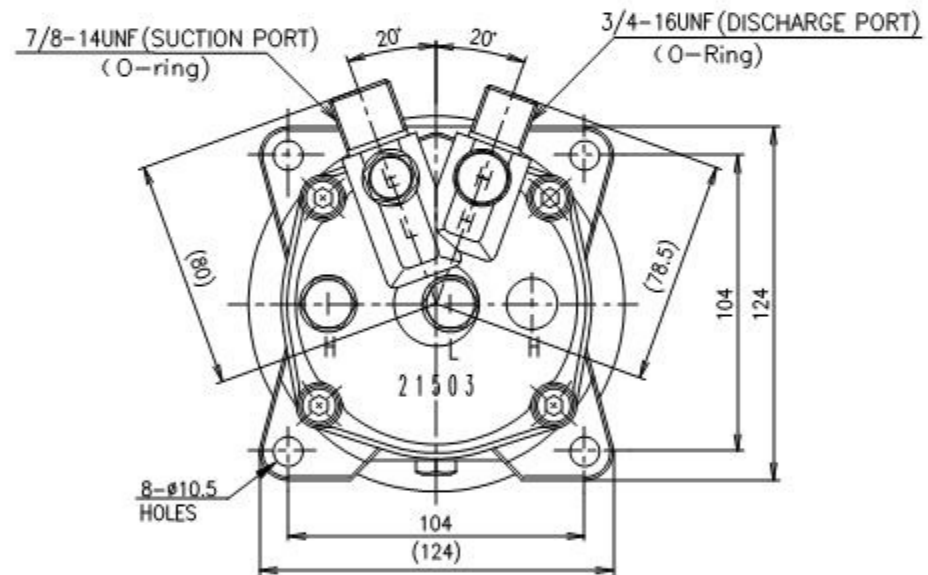
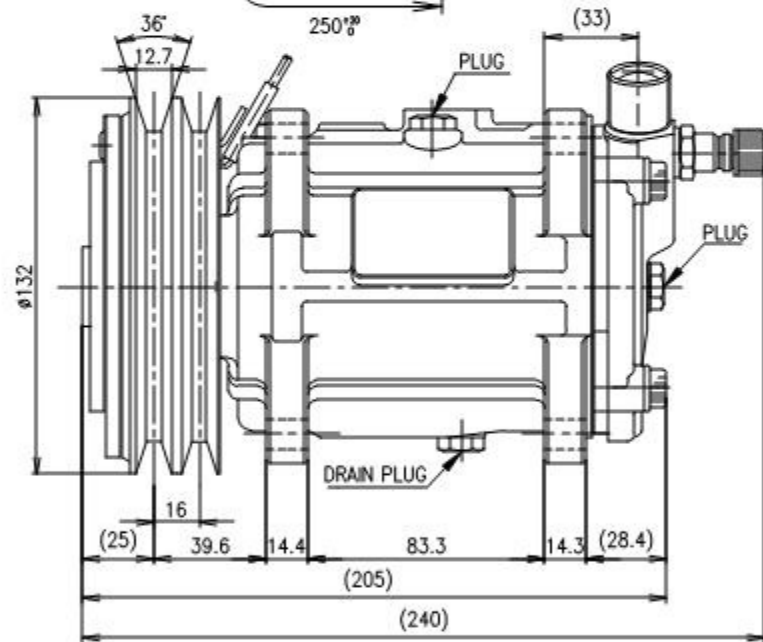
NO.	N A M E	P A R T N O.	QTY	M A T E R I A L - D I M E N S I O N - D E S C R I P T I O N
1	COMPRESSOR ASSY	20102-03055	1	
2	MAGNETIC CLUTCH	27201-00230	1	DC.24V

COMPRESSOR

MODEL	UP-150
PART NO.	20102-03055
DISPLACEMENT	145 cc/Rev.
MAX. RPM	6,000 rpm
FITTING TYPE	O-Ring type

MAGNETIC CLUTCH

PART NO.	27201-00230
RATING	DC24V, MAX.45W
REVOLUTION	CW
BELT TYPE	A



DC. 24V

HFC-134a