

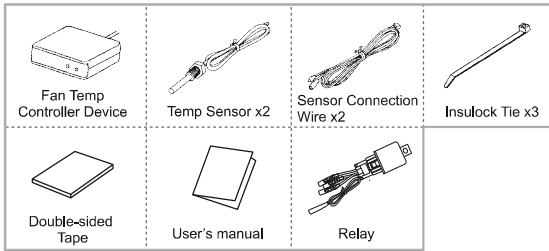
FAN TEMP CONTROLLER

INSTRUCTION MANUAL

SW-10078

CONTENTS

The following pictures are for reference only and as products map appear slightly different.



CHARACTERISTICS

- Monitoring and controlling the water temp. and oil temp. at the same time
- 3 modes: water temp., oil temp., and voltage
- Digital LED display
- Adjustable alarm setting
- It could change the kick-in temperature of the fan, helping you prevent overheating and loss of power.

IMPORTANT

- It's highly recommend to consult professionals or workshop to install the fan temp controller because the installation requires professional knowledge of electrical systems.
- The damage or unexpected result due to incorrect installation is out of the liability of our warranty. such as reversed connection of the electrode poles. or damaged with abnormal usage. Any loss of personal or property due to incorrect usage is out of our liability of responsibility or compensation.
- MUST operate or install this product in the ventilation space, in case of injured or death accident because of carbon carbon monoxide poisoning
- Do not operate this product while driving to avoid the accident caused by absent-minded.
- If there is any unnormal sound, smell or reaction, please turn off the fan temp controller, then check if any incorrect cabling method that might cause the short circuit problem. Please make sure all the wire is installed exactly without broken coating of wire.

OPERATION DESCRIPTION

Displayed range

- Range: Water Temp : 10°C ~ 150°C
- Oil Temp : 50°C ~ 150°C
- Voltage : 8V~17V
- Fan control set temp display (if any)

Displayed mode shift

- Press SET and MODE button together to shift the displayed mode between Auto display and constant display.
- Auto displayed mode: The numeric of water Temp., oil Temp then voltage appears sequentially each two seconds on the monitor.
- Constant displayed mode: Only one of the water temp., oil temp or voltage appears permanently until you press the "Mode" button to shift it.

Fan Temp. alarm setup

- Please shift to Constant displayed mode before setup, otherwise the function can not work.
- Press "Mode" button to shift to the item you want to set alarm, then press the "SET" button; make sure the light is flashing on the item, the numeric will jump automatically, when the numeric reaches the alarm you need, please press the "SET" button again to set the alarm, then the numeric will be back to displayed mode after two seconds.

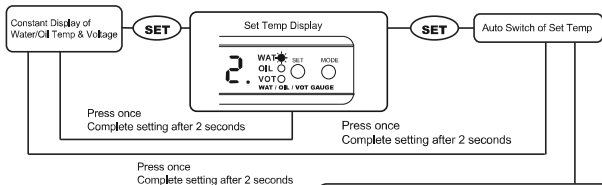
Note: when you set the alarm, the "OFF" means to back to factory mode; the fan Temp. controller will work under factory mode.

- Displayed range**
- If the value is out of range, it will show "H H H" on the display; if it's lower than the minimum displayed range, it will show "L L L" on the display.
- Auto Switch Display Monitor: The lamp is on for auto switch display, Water Temp Display Monitor (blue)
- Water Temp Display = lamp on
 - Oil Temp Display = lamp on
 - Oil Temp Display = flashing
 - Oil Temp Display = lamp on
 - Oil Temp Display = flashing
- Voltage Display Monitor (green)
- Voltage Display = lamp on
 - Set low voltage = flashing
- MODE Button
- SET Button

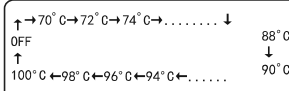
Fan Temp. alarm setup

- Please shift to Constant displayed mode before setup, otherwise the function can not work.
- Press "Mode" button to shift to the item you want to set alarm, then press the "SET" button; make sure the light is flashing on the item, the numeric will jump automatically, when the numeric reaches the alarm you need, please press the "SET" button again to set the alarm, then the numeric will be back to displayed mode after two seconds.

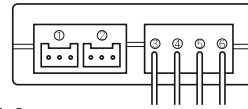
Note: when you set the alarm, the "OFF" means to back to factory mode; the fan Temp. controller will work under factory mode.



- SET Auto Switch of Set Temp
- Press once Change by pressing the SET switch
- Caution: OFF = no control (for manufacturer only)
- Caution: To verify the set fan control temperature, press the SET switch one time, Normal display will be resumed automatically after two seconds.

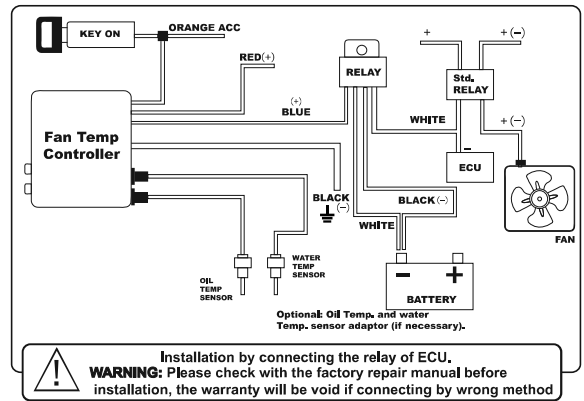
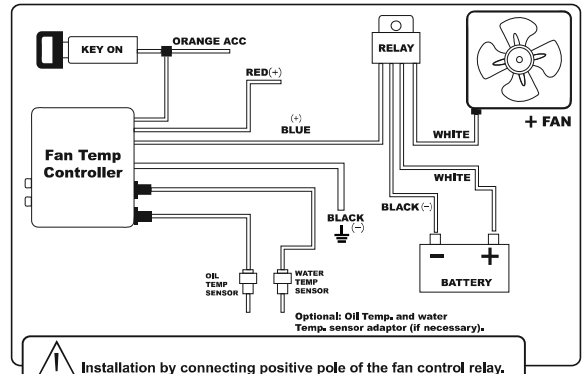
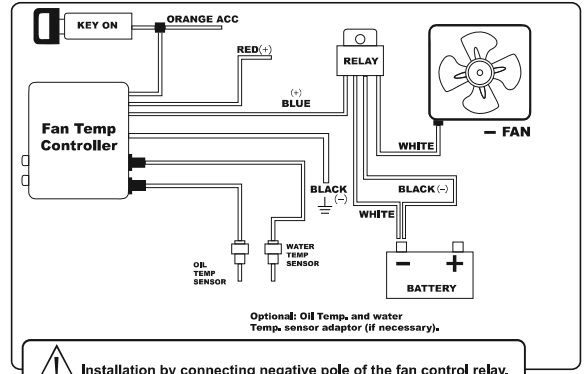


Fan Temp Controller Device back



- 1 OIL TEMP SENSOR
- 2 WATER TEMP SENSOR
- 3 Black wire: Grounding wire(-)
- 4 Blue wire: Fan Control, Output POWER is +12V/1.4A
- 5 Orange wire: Ignition power
- 6 Red wire: +12V Power

HARNESS



Notice

- If installation with Temp. sensor is necessary, it must connect with main device by connecting wire, and it must seal all the male thread of sensor by sealing tape to avoid leakage.
- Must ensure all the fitting is connecting exactly and firmly and seal the connection to avoid poor connection.

Troubleshooting

Problem	Caused by	Solution
When the battery is on, the light is off and no numeric displayed.	Bad connection with red / orange / black wire	Please check the connection and rework it exactly.
Only " - - - " displayed without numeric under water Temp. constant displayed mode.	<ul style="list-style-type: none"> Sensor is defective. The wire of sensor is poor connection. 	<ul style="list-style-type: none"> Please replace the sensor Rework the connection.
Only " L L L " displayed without numeric under oil Temp. constant displayed mode.	<ul style="list-style-type: none"> Temperature is lower than 10°C 	Waiting for the temperature rising after fan works.
Only " H H H " displayed without numeric under oil Temp. constant displayed mode.	<ul style="list-style-type: none"> Temperature is higher than 150°C 	<ul style="list-style-type: none"> The temperature is higher than 150°C Check the sensor
The fan doesn't work when the water temperature reaches the setting alarm.	<ul style="list-style-type: none"> Wrong cabling method 	Rework the cabling, and must check the cabling method is correct.